



US011252870B2

(12) **United States Patent**  
**Kringstad**

(10) **Patent No.:** **US 11,252,870 B2**  
(45) **Date of Patent:** **Feb. 22, 2022**

(54) **CROP CART UNLOADING SYSTEM**

(71) Applicant: **Safe-T-Pull, Inc.**, Park River, ND (US)

(72) Inventor: **Burnell R. Kringstad**, Park River, ND (US)

(73) Assignee: **Safe-T-Pull, Inc.**, Park River, ND (US)

(\*) Notice: Subject to any disclaimer, the term of this patent is extended or adjusted under 35 U.S.C. 154(b) by 0 days.

(21) Appl. No.: **17/094,948**

(22) Filed: **Nov. 11, 2020**

(65) **Prior Publication Data**

US 2021/0059121 A1 Mar. 4, 2021

**Related U.S. Application Data**

(63) Continuation of application No. 16/297,822, filed on Mar. 11, 2019, now Pat. No. 10,834,874, which is a continuation of application No. 15/613,378, filed on Jun. 5, 2017, now Pat. No. 10,225,986, which is a continuation of application No. 14/735,611, filed on Jun. 10, 2015, now Pat. No. 9,668,423.

(51) **Int. Cl.**  
*A01D 90/10* (2006.01)  
*B60P 1/38* (2006.01)  
*B65G 67/24* (2006.01)

(52) **U.S. Cl.**  
CPC ..... *A01D 90/10* (2013.01); *B60P 1/38* (2013.01); *B65G 67/24* (2013.01)

(58) **Field of Classification Search**  
CPC ..... *A01D 90/10*; *B60P 1/38*; *B65G 67/24*  
USPC ..... 414/345, 505  
See application file for complete search history.

(56) **References Cited**

U.S. PATENT DOCUMENTS

2,419,824 A 4/1947 Davis  
2,655,274 A 10/1953 Lowe  
3,037,780 A 6/1962 Skromme  
3,047,173 A 7/1962 Raney  
3,189,202 A 6/1965 Hansen  
3,629,890 A 12/1971 Harris  
4,494,904 A 1/1985 Hill

(Continued)

FOREIGN PATENT DOCUMENTS

DE 102008053325 A1 4/2010  
DE 102009035038 A1 4/2010

(Continued)

OTHER PUBLICATIONS

<http://www.spudnik.us/products/4835.php>; The New Crop Cart Webpage from Spudnik; May 12, 2015.

(Continued)

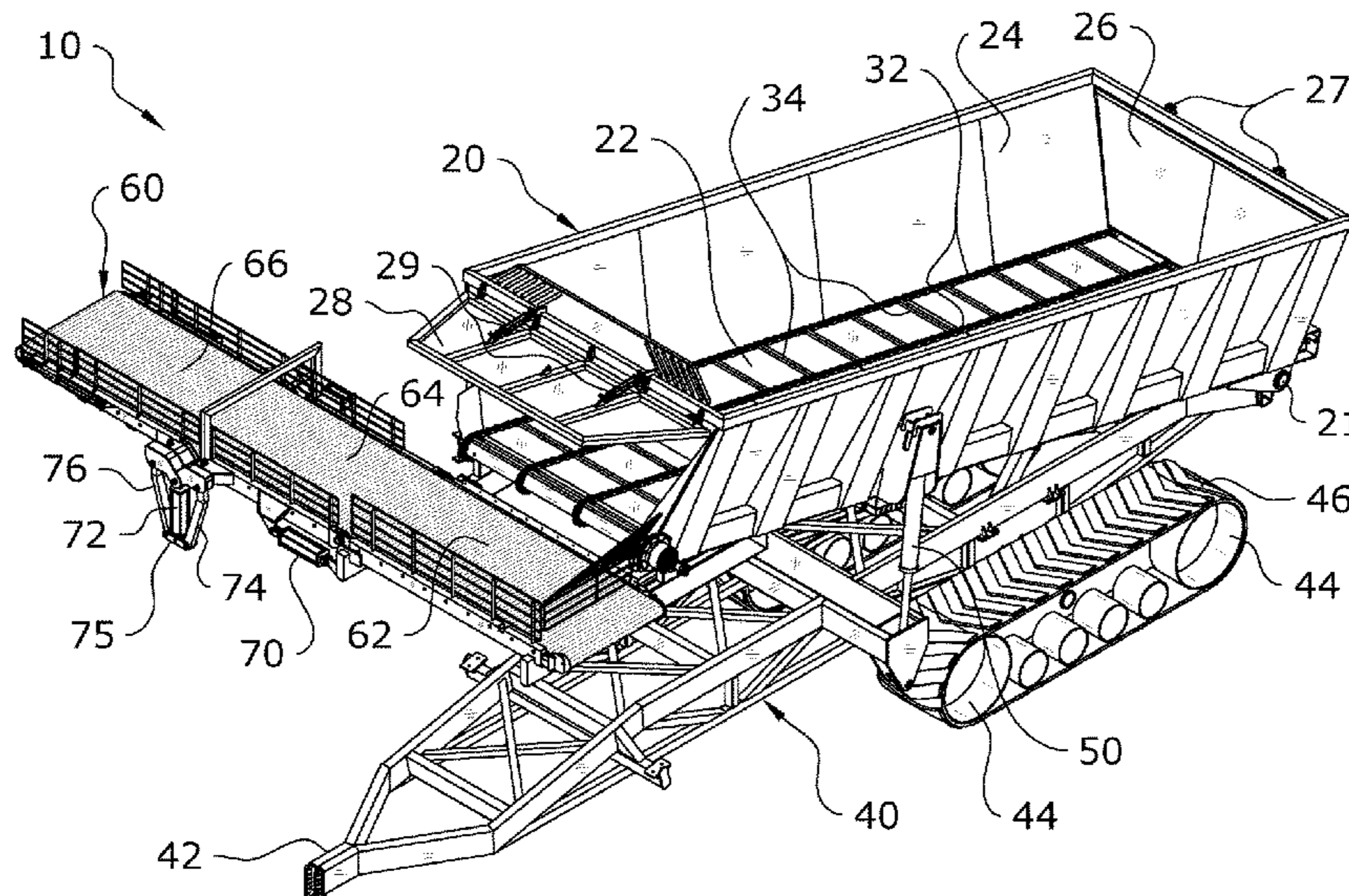
*Primary Examiner* — James Keenan

(74) *Attorney, Agent, or Firm* — Neustel Law Offices

(57) **ABSTRACT**

A crop cart unloading system for efficiently unloading a harvested crop from a crop cart. The crop cart unloading system generally includes a hopper having a floor conveyor movably positioned with respect to a lower floor, a plurality of sidewalls extending upwardly from the lower floor, an unloading door movably connected to an unloading end of the hopper, and an upper opening defined by an upper edge of the plurality of sidewalls for receiving a field crop. The hopper is pivotally connected to a support frame having a plurality of wheels. A first actuator is connected between the support frame and the hopper to lift the unloading end of the hopper. An unloading conveyor is attached to the unloading end of the hopper to receive and discharge a field crop from the hopper.

**20 Claims, 17 Drawing Sheets**



(56)

**References Cited**

U.S. PATENT DOCUMENTS

5,013,207	A	5/1991	Baker
5,364,221	A	11/1994	Theurer
7,540,700	B2	6/2009	Hook
10,271,479	B2	4/2019	Kringstad
10,542,677	B1	1/2020	Kringstad
2016/0129823	A1	5/2016	Millsaps, II
2016/0286727	A1	10/2016	Telkamp

FOREIGN PATENT DOCUMENTS

DE	202013102388	U1	8/2013
WO	2016/087860	A2	6/2016

OTHER PUBLICATIONS

<http://www.hsrowcrop.com/archived/pdf/sugarbee2-lowres.pdf>;  
Sugarbeet Cart Brochure from H&S Manufacturing; May 6, 2015.  
<http://hydraulicdumpcart.com/>; High Dump Cart Webpage from  
HighDumpCart.com; May 12, 2015.  
<http://www.oxbocorp.com/Products/DumpCarts.aspx>; Dump Carts  
Webpage from Oxbo International Corporation; May 12, 2015.



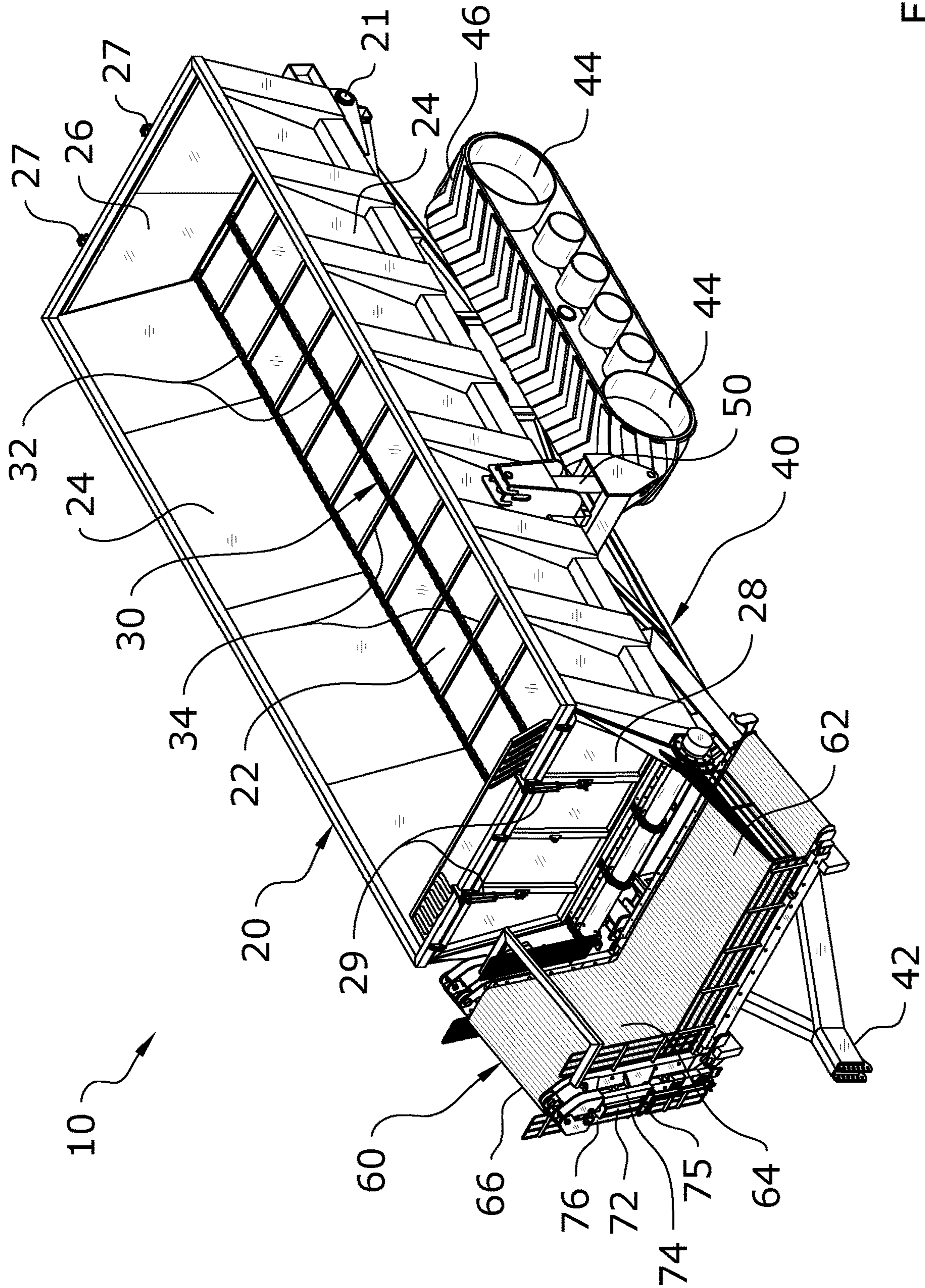


FIG. 1



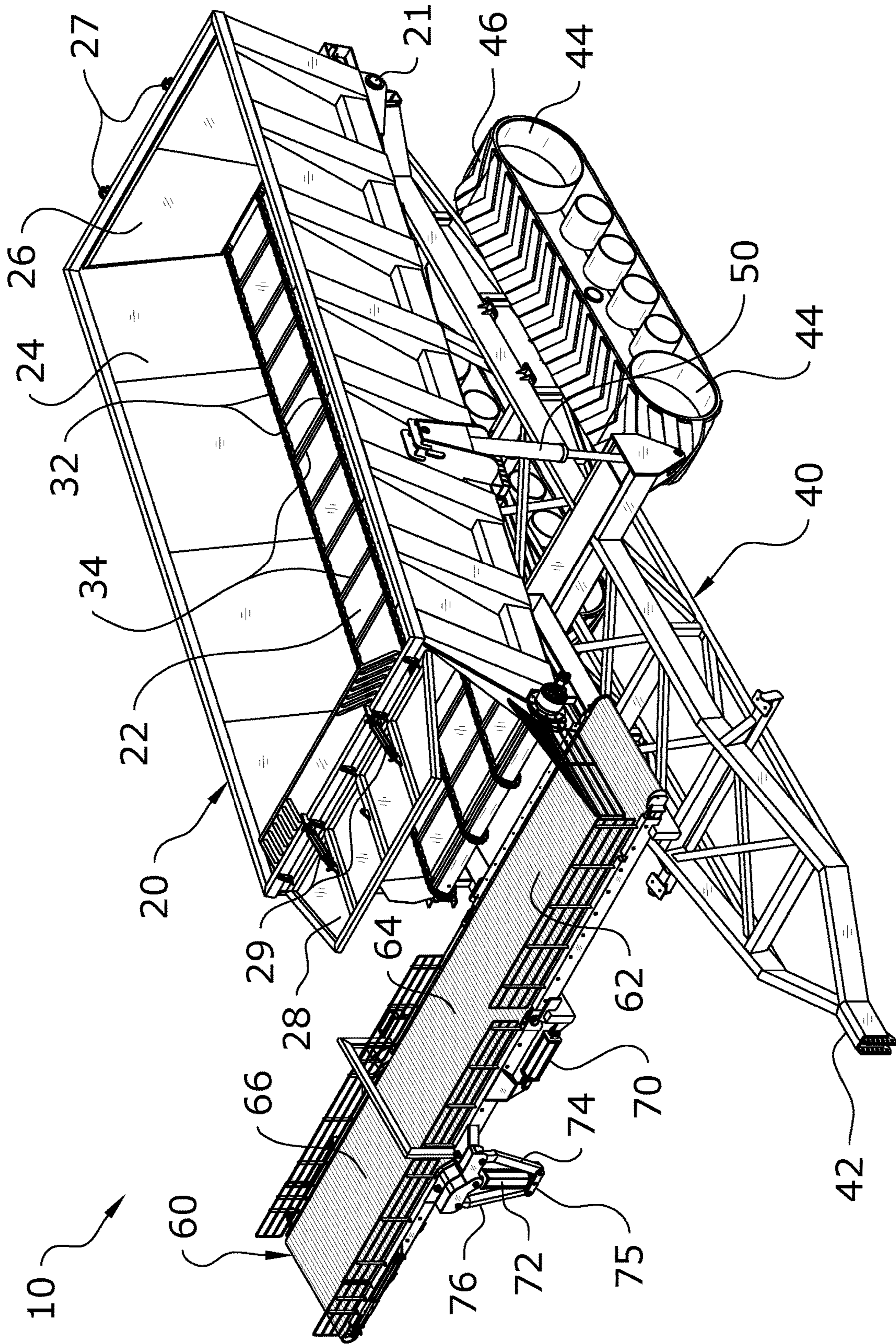


FIG. 2



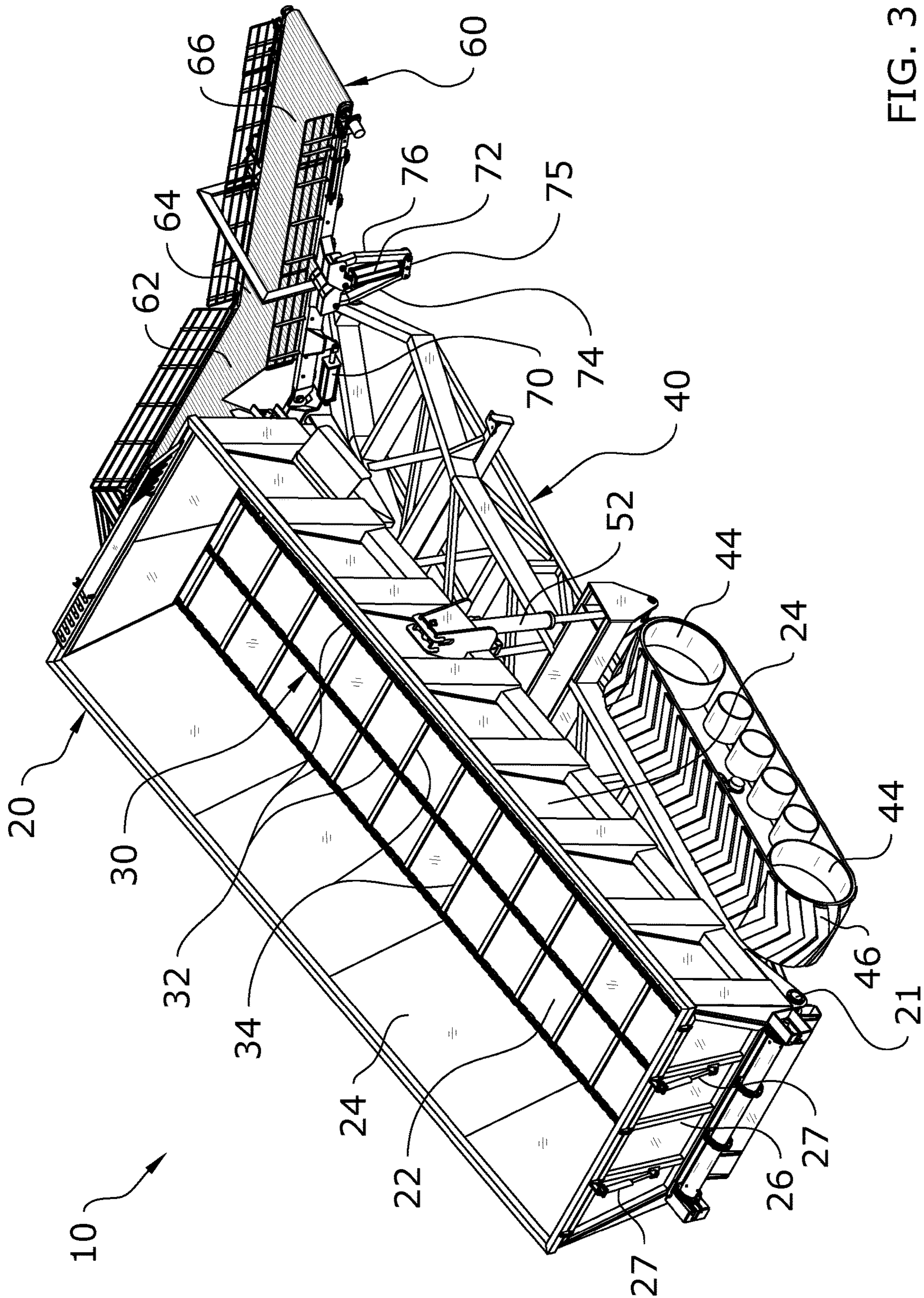


FIG. 3

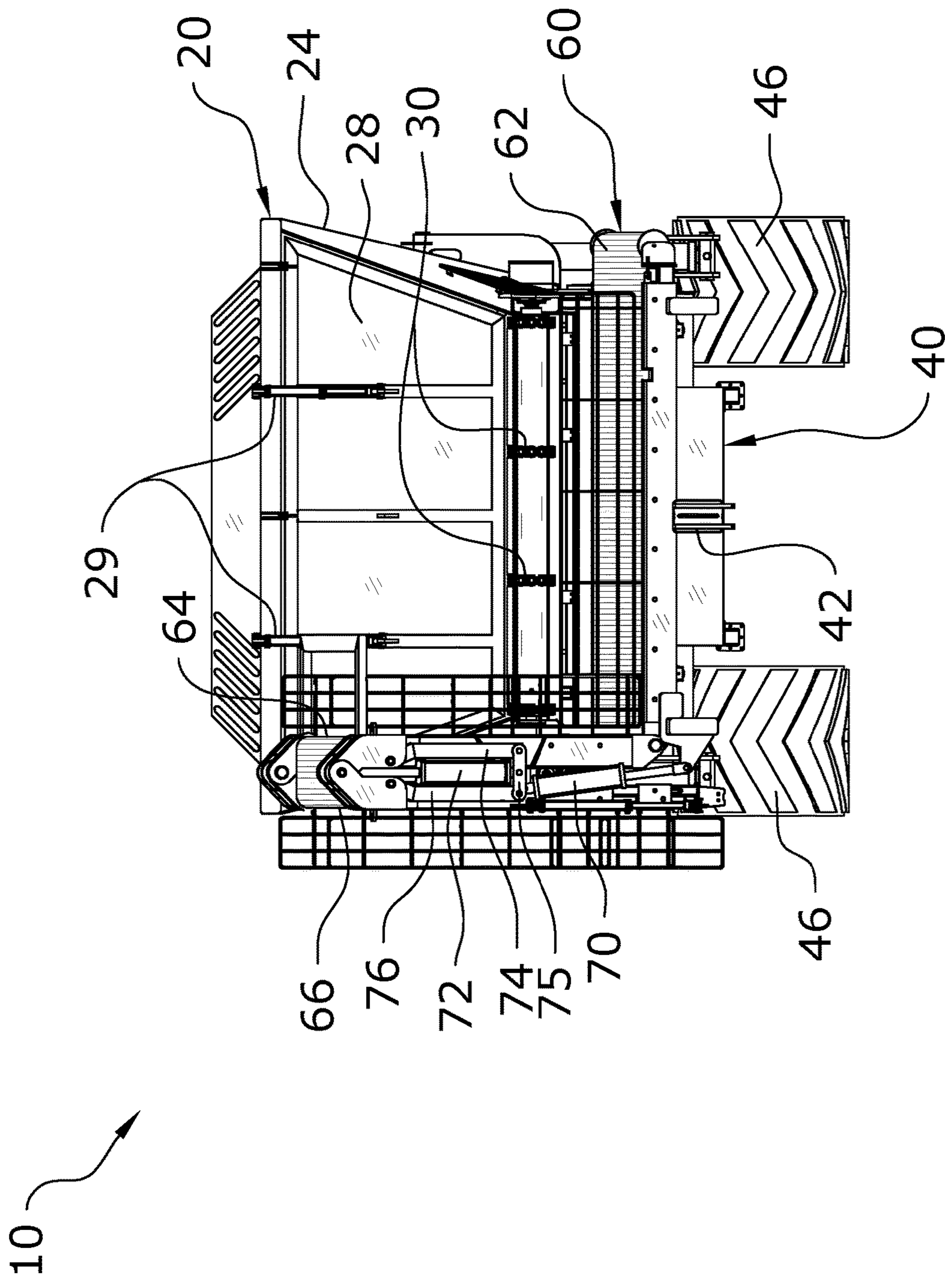


FIG. 4



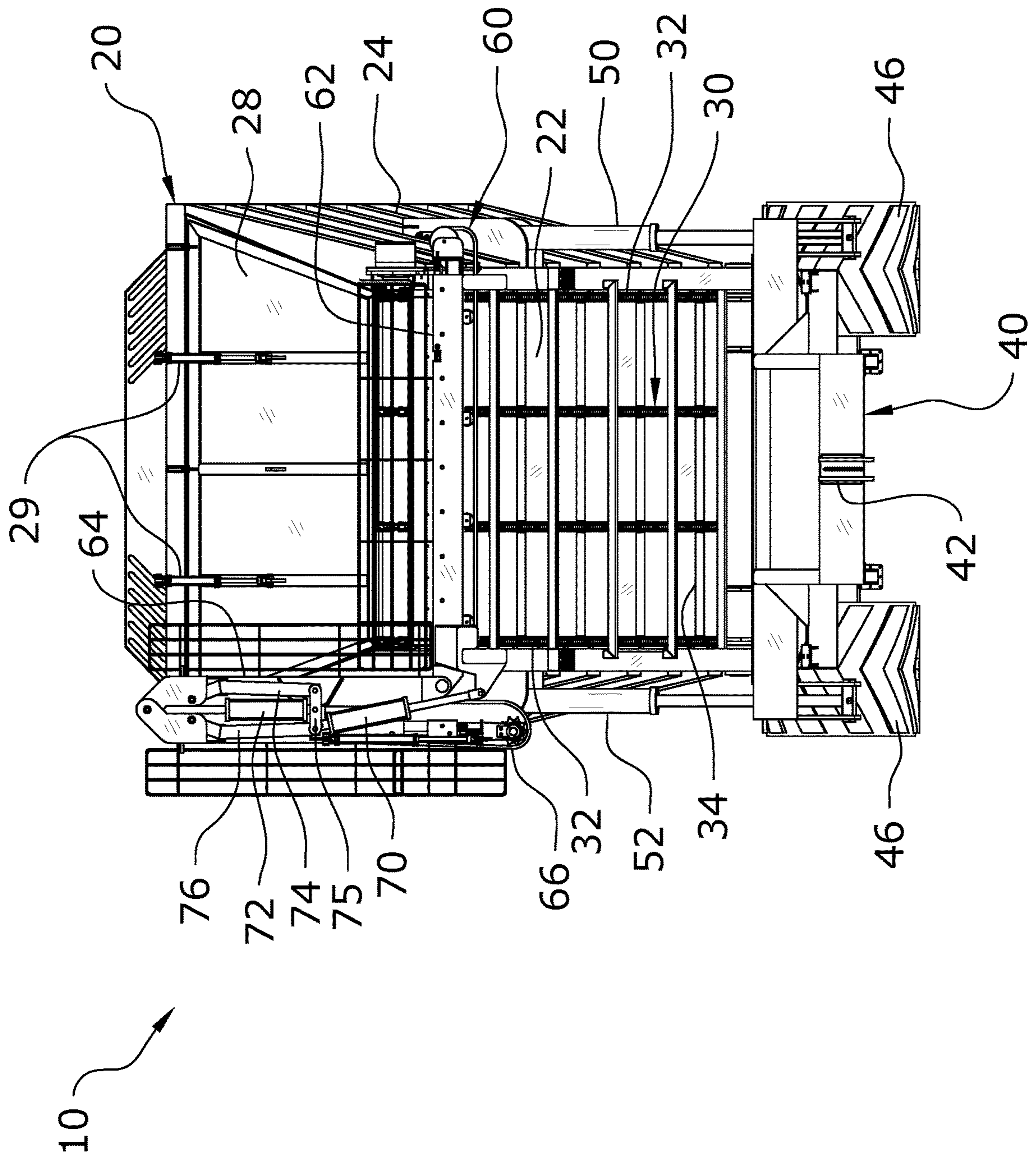


FIG. 5a

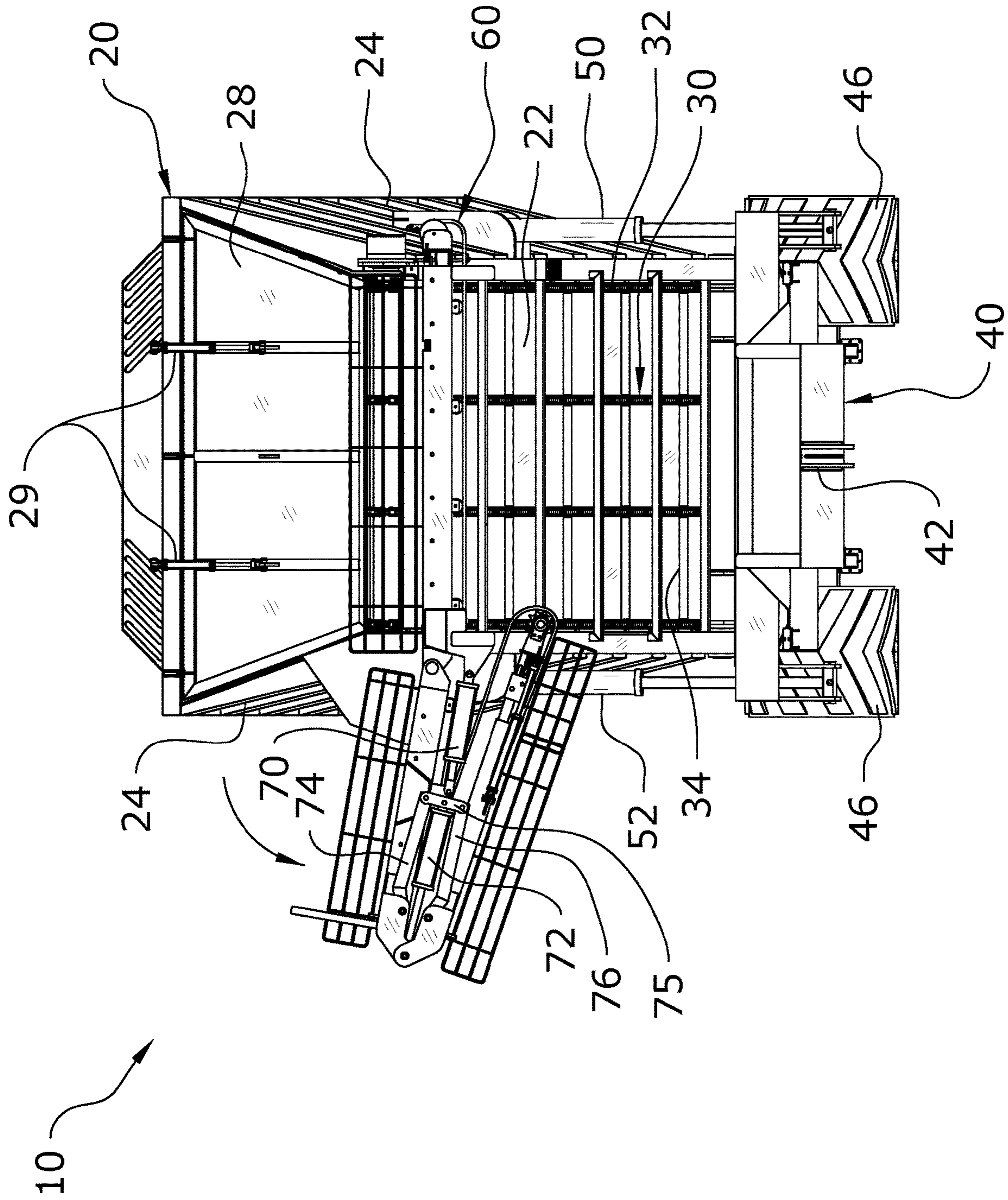


FIG. 5b



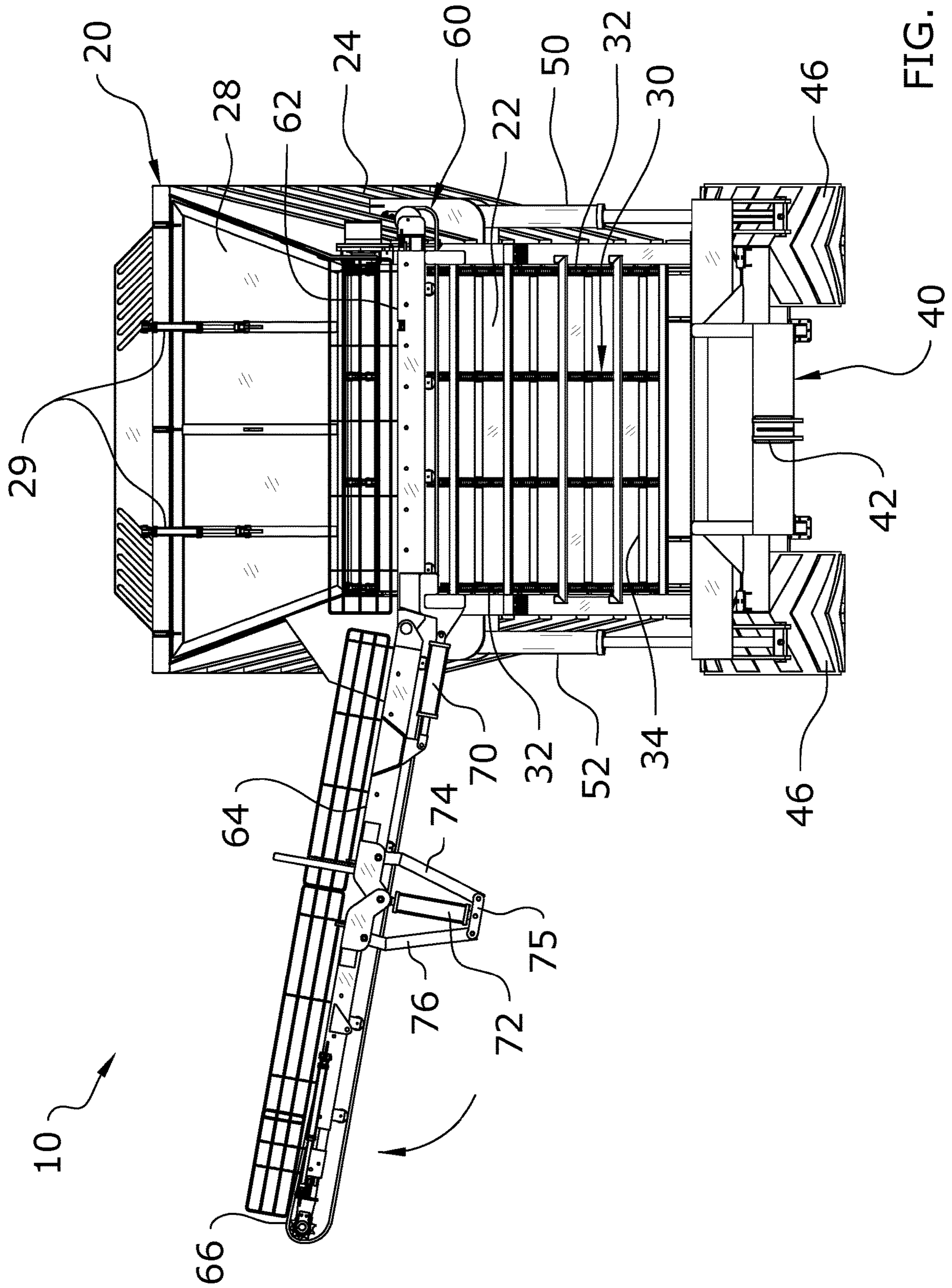


FIG. 5C

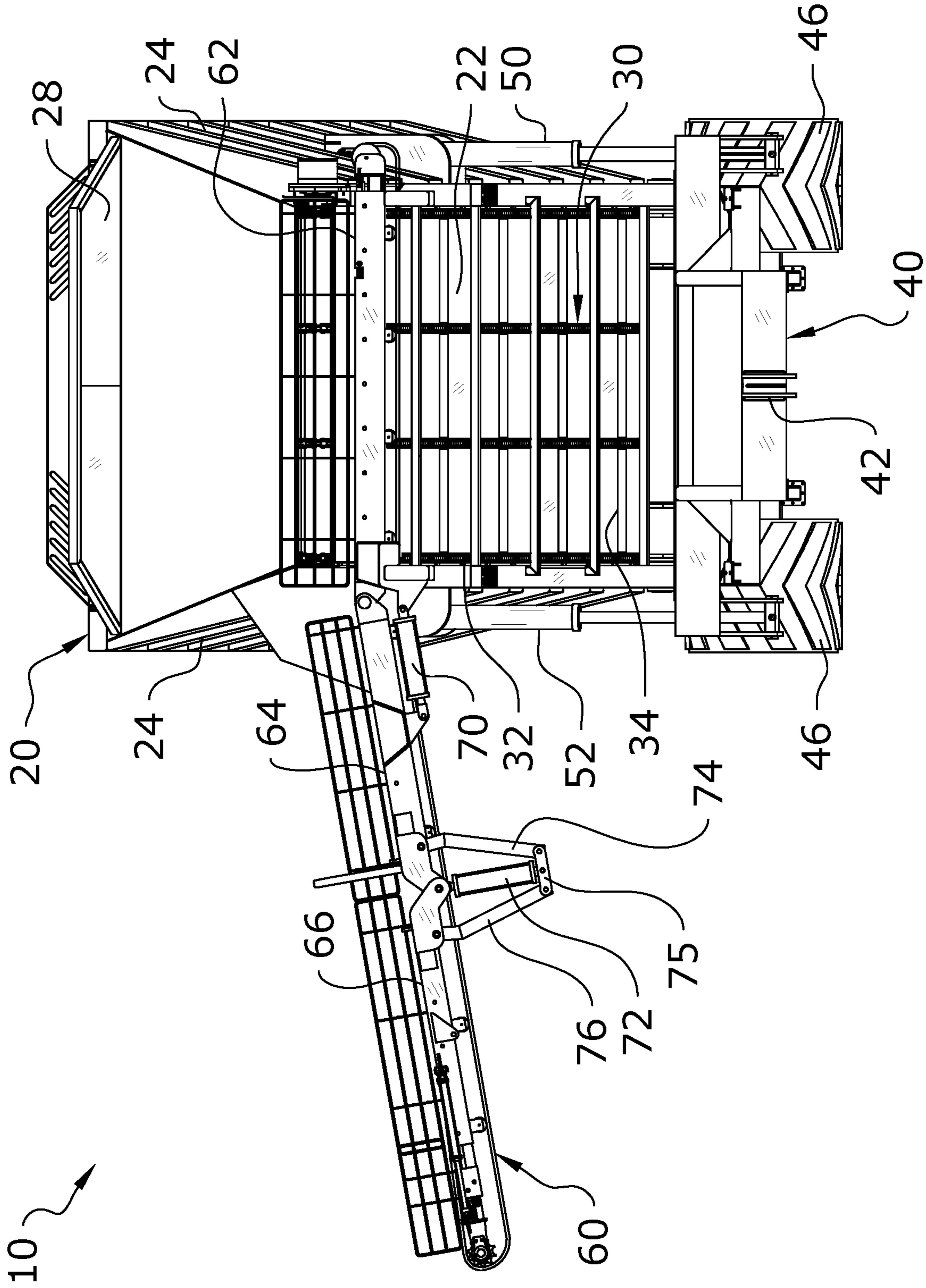


FIG. 5d



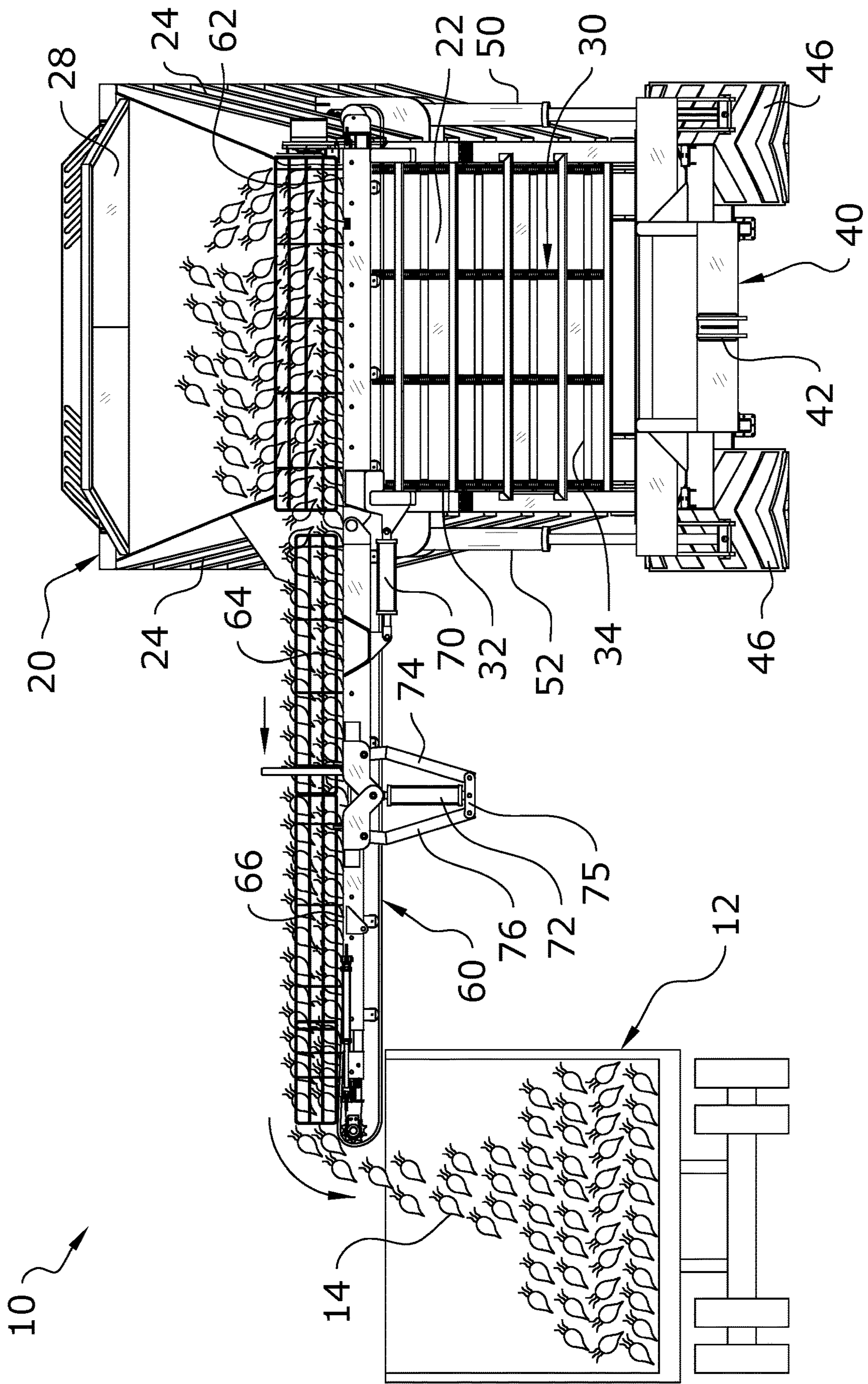


FIG. 5e

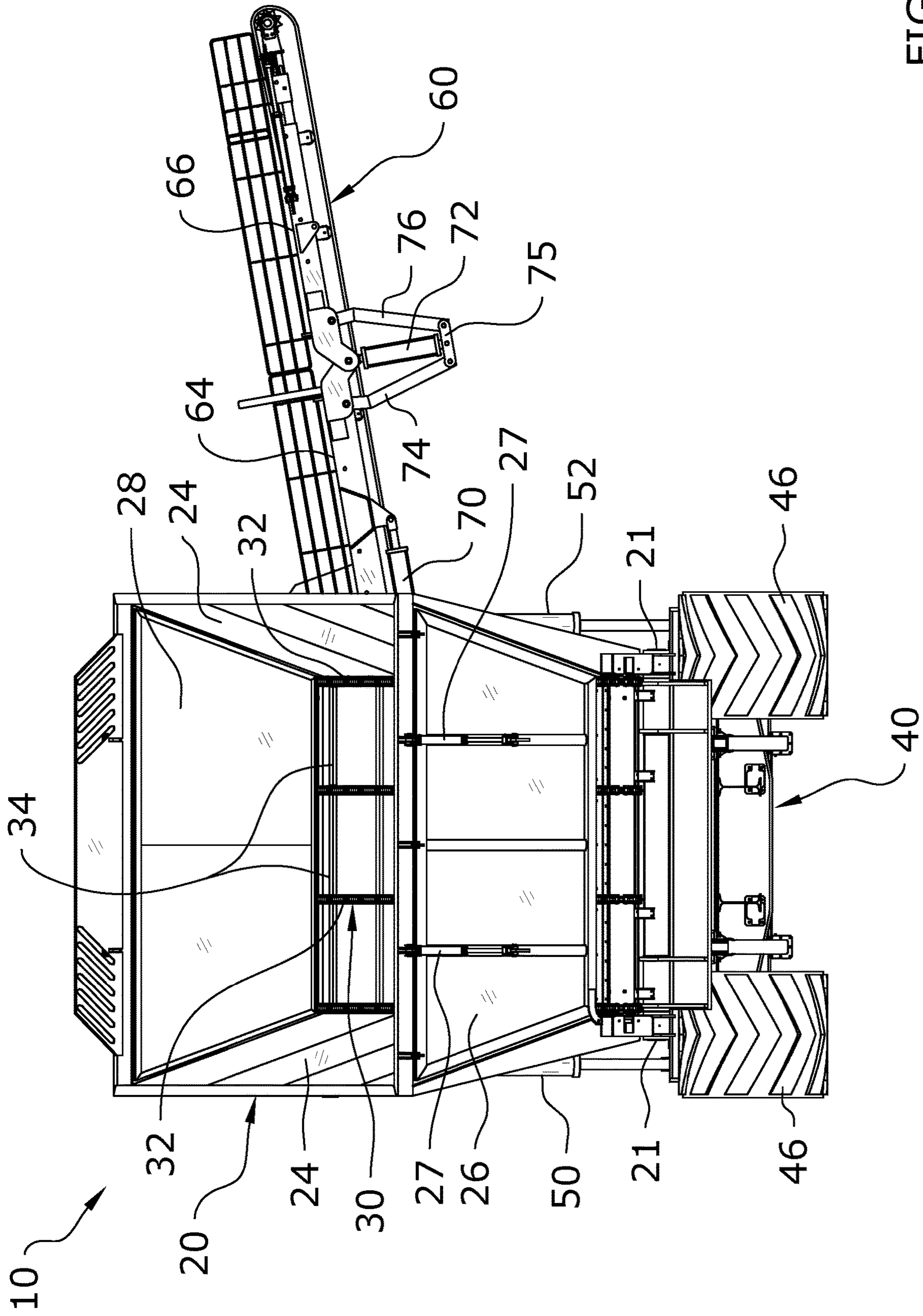


FIG. 6



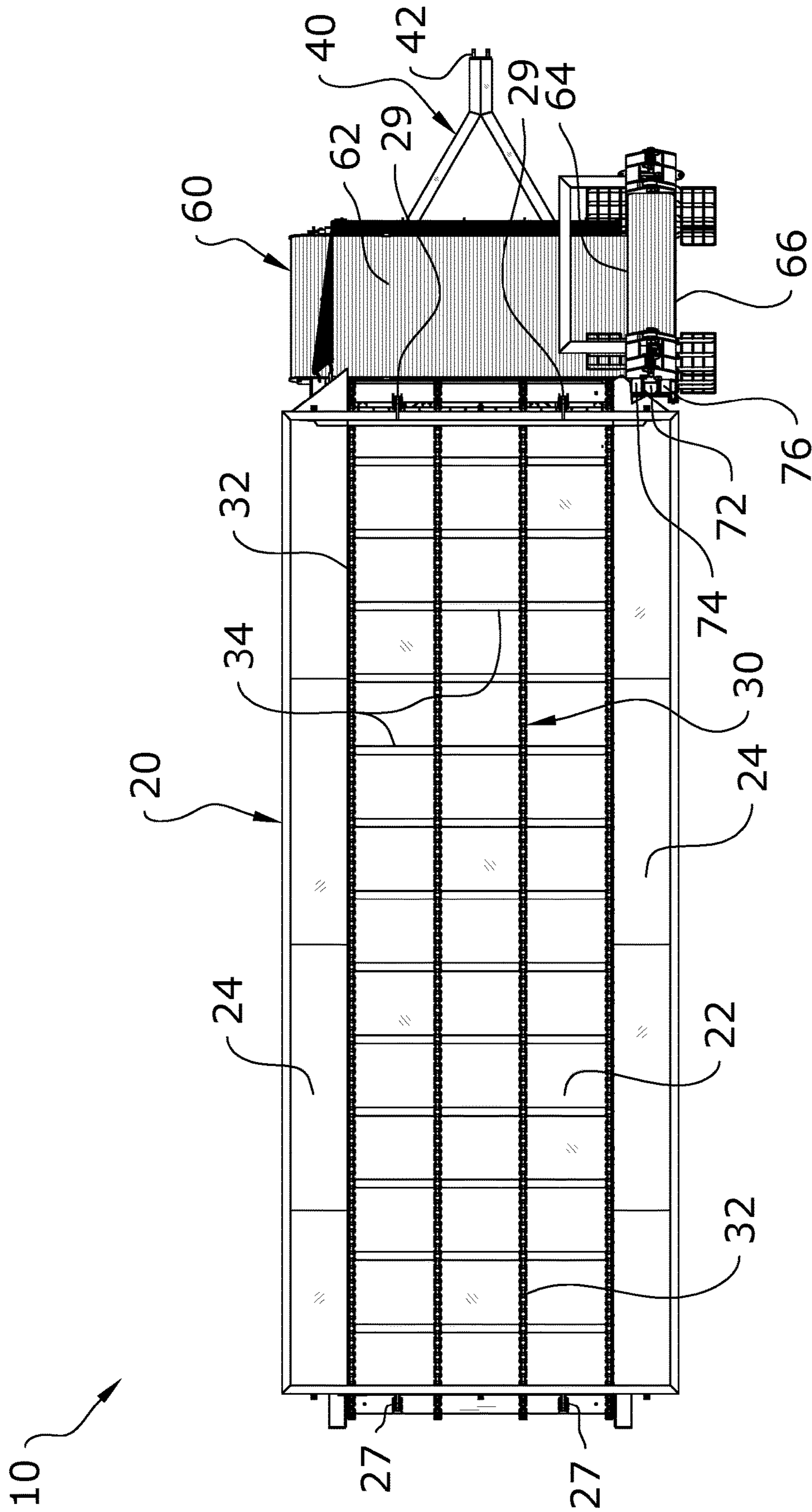


FIG. 7a

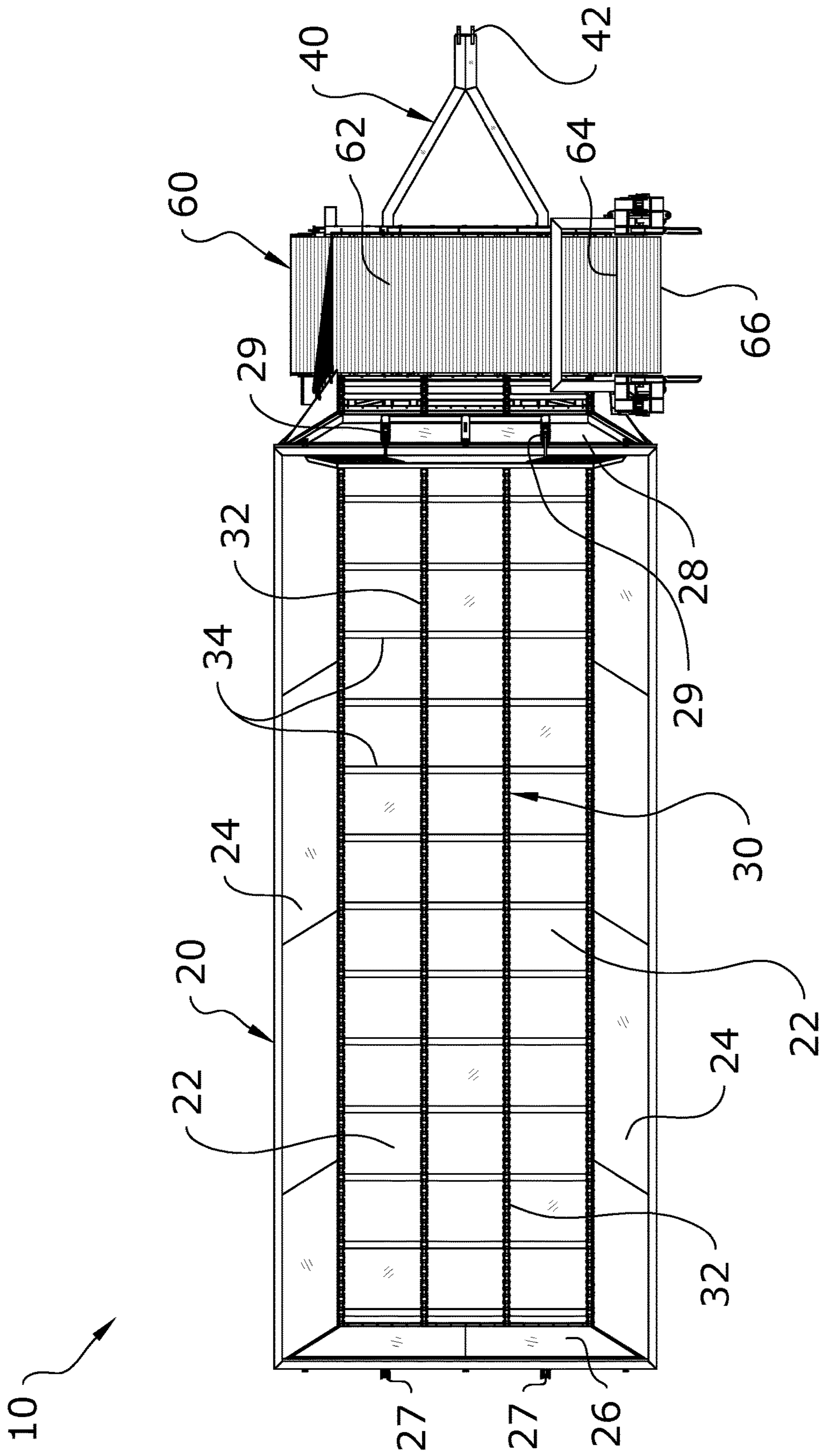


FIG. 7b



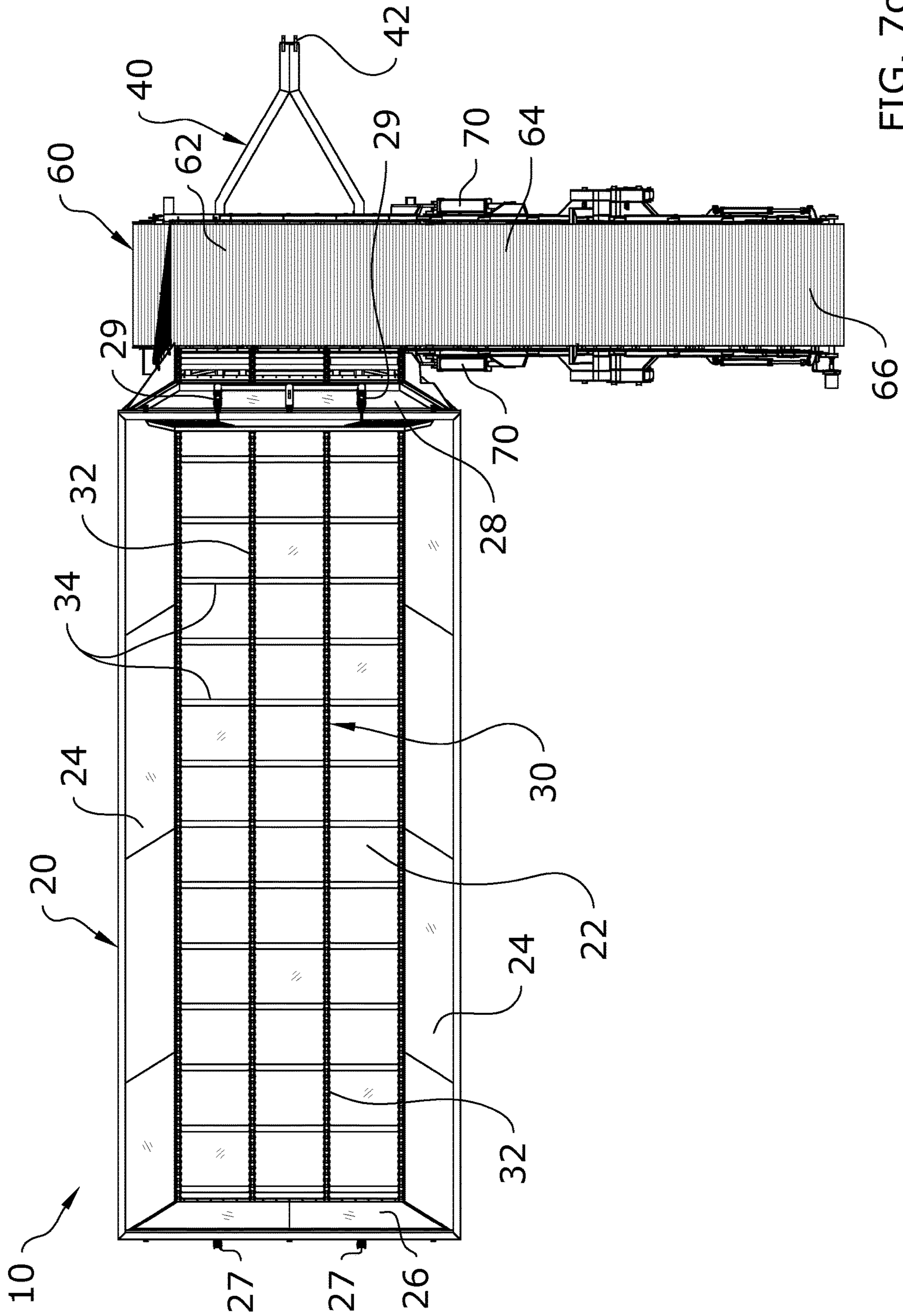


FIG. 7C

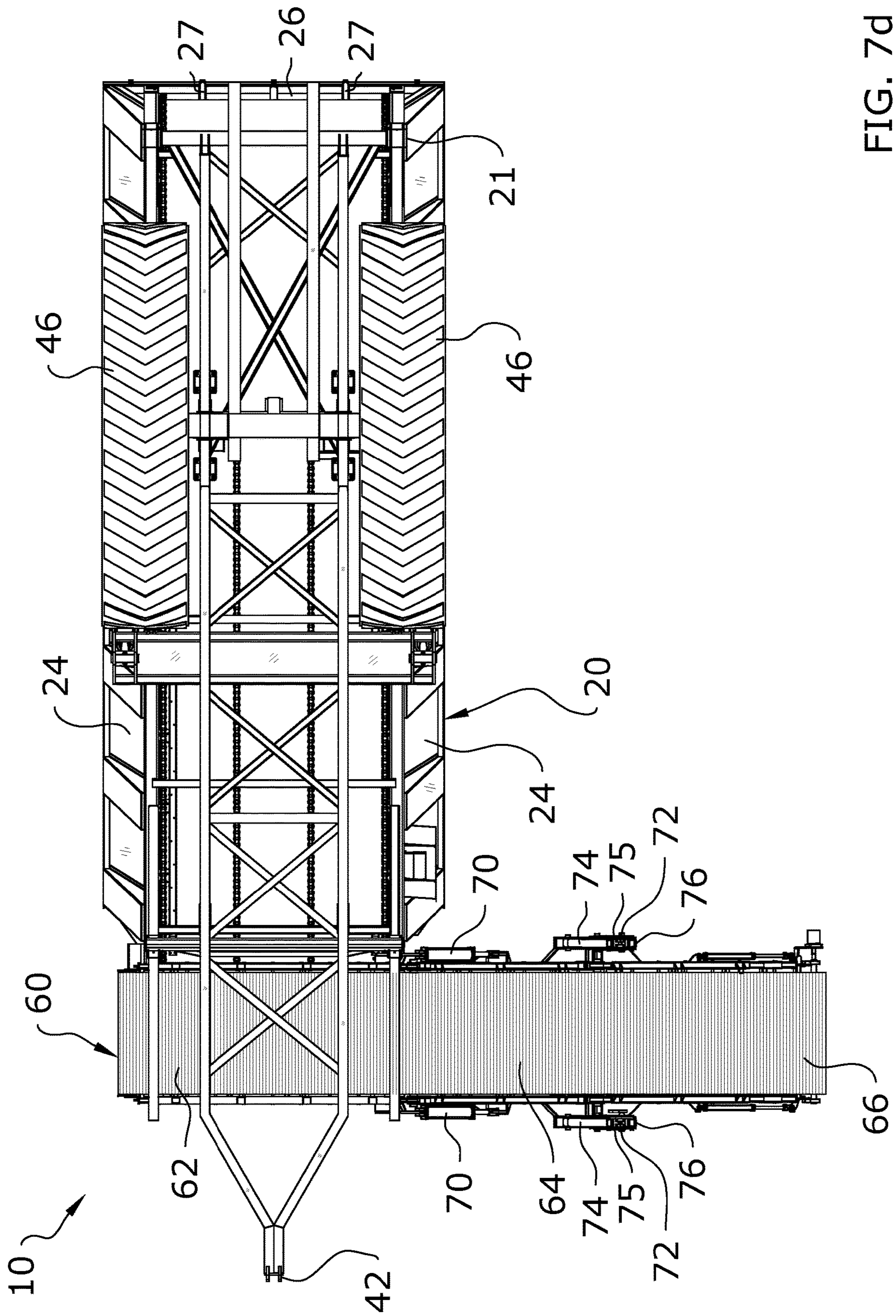


FIG. 7d



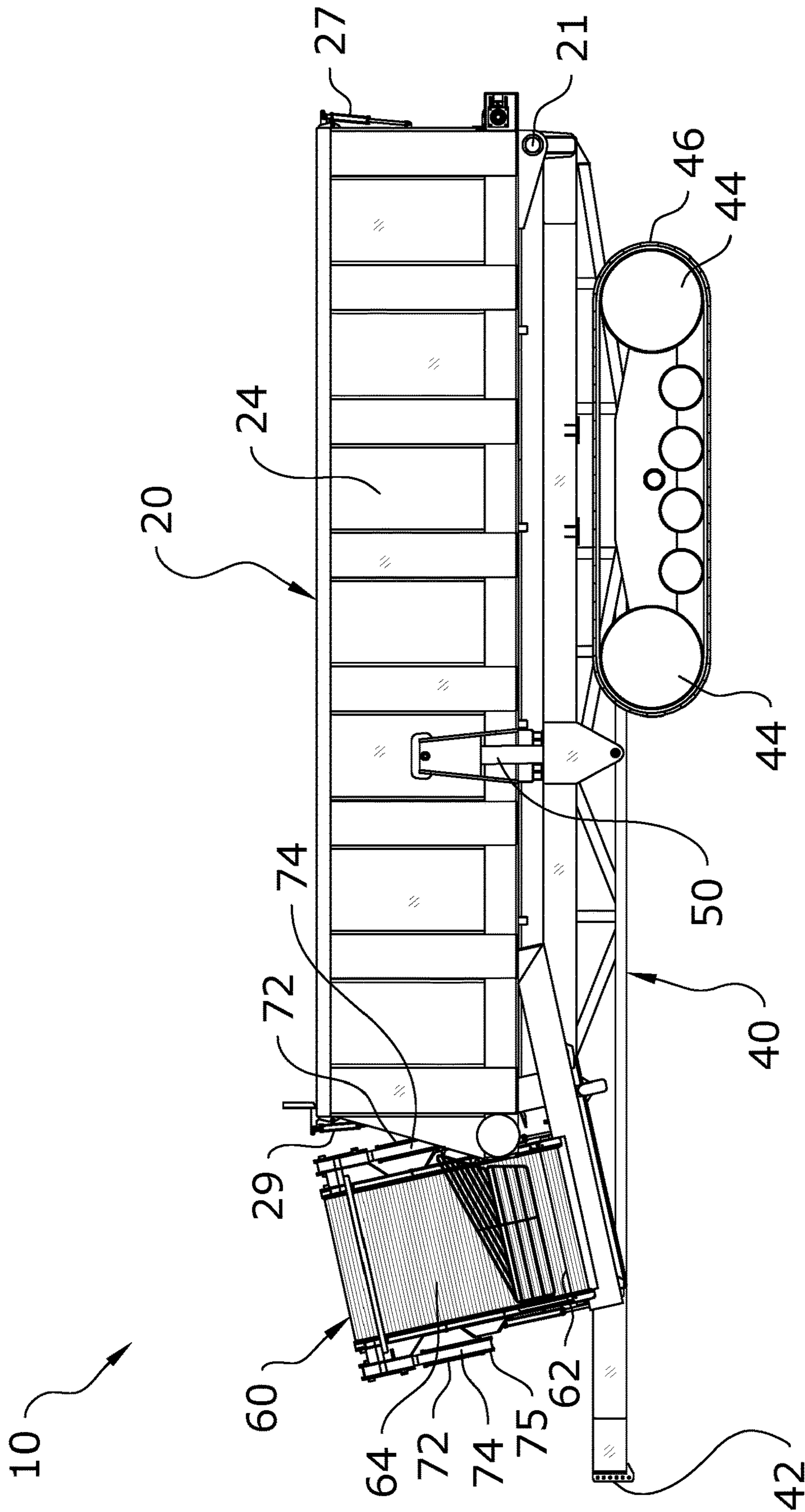


FIG. 8a

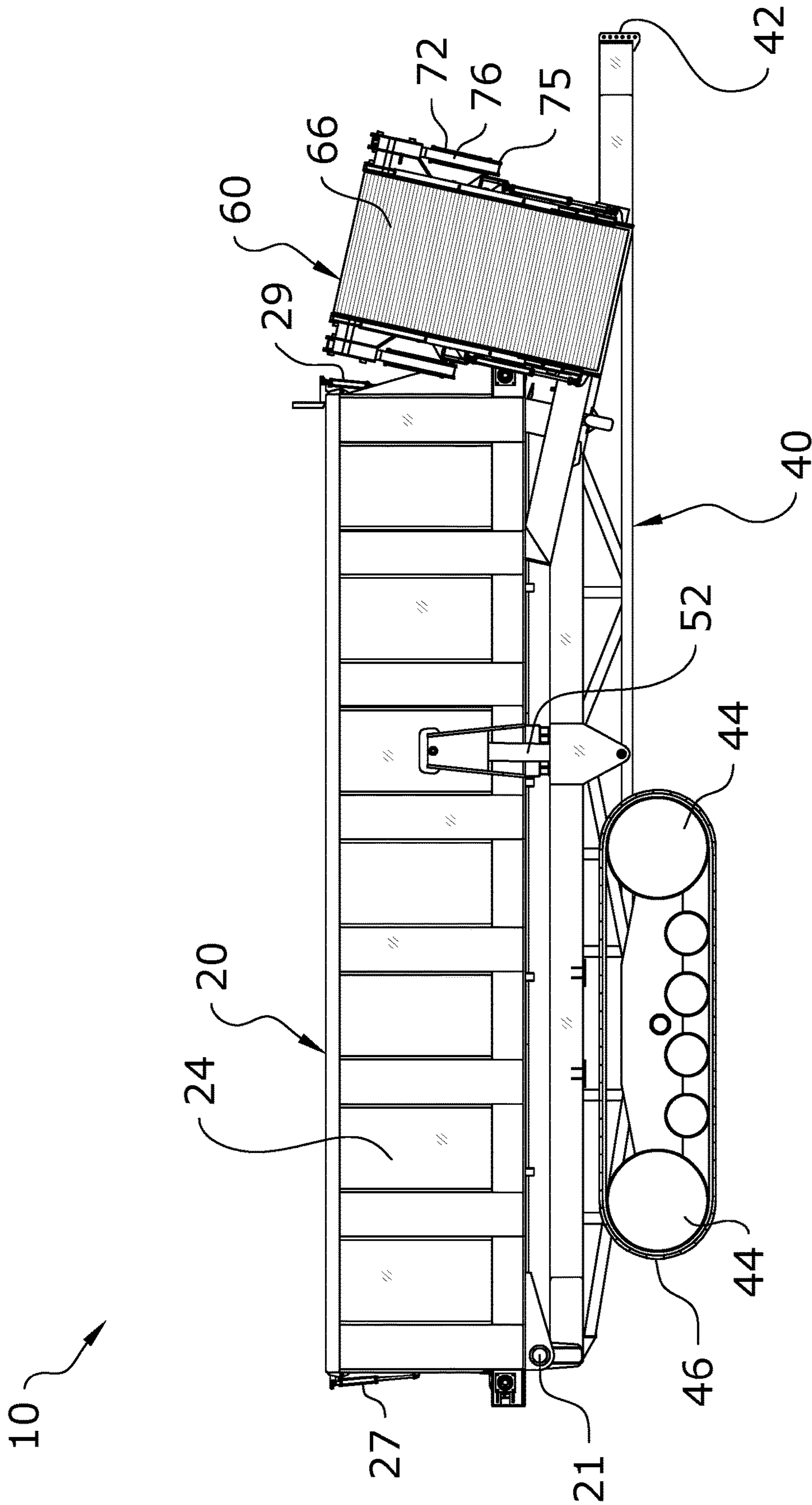


FIG. 8b



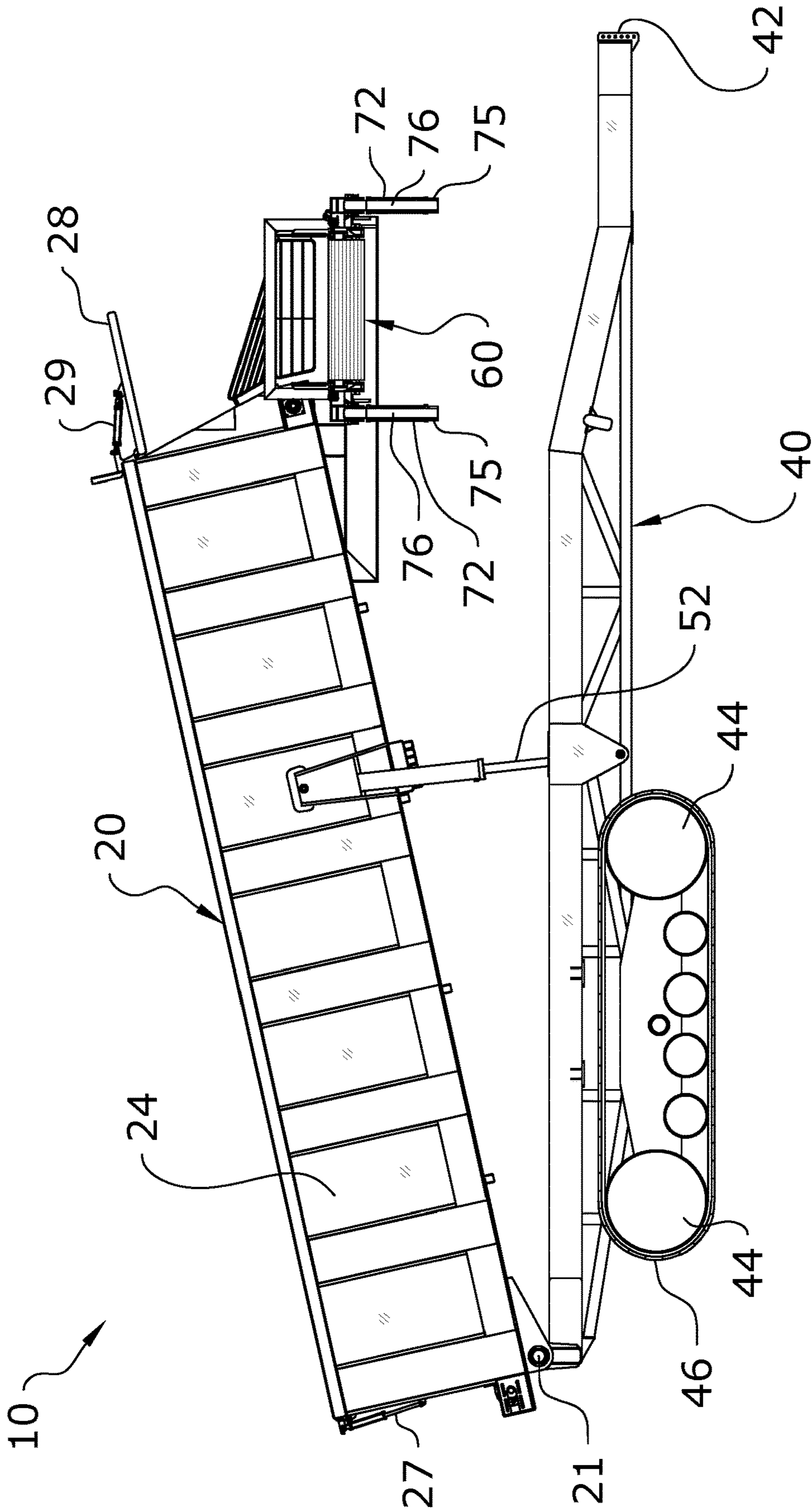


FIG. 8C

**CROP CART UNLOADING SYSTEM****CROSS REFERENCE TO RELATED APPLICATIONS**

The present application is a continuation of U.S. application Ser. No. 16/297,822 filed on Mar. 11, 2019 which issues as U.S. Pat. No. 10,834,874 on Nov. 17, 2020, which is a continuation of U.S. application Ser. No. 15/613,378 filed on Jun. 5, 2017 now issued as U.S. Pat. No. 10,225,986, which is a continuation of U.S. application Ser. No. 14/735,611 filed on Jun. 10, 2015 now issued as U.S. Pat. No. 9,668,423. Each of the aforementioned patent applications, and any applications related thereto, is herein incorporated by reference in their entirety.

**STATEMENT REGARDING FEDERALLY SPONSORED RESEARCH OR DEVELOPMENT**

Not applicable to this application.

**BACKGROUND OF THE INVENTION****Field of the Invention**

The present invention relates generally to a crop cart and more specifically it relates to a crop cart unloading system for efficiently unloading a harvested crop from a crop cart.

**Description of the Related Art**

Any discussion of the related art throughout the specification should in no way be considered as an admission that such related art is widely known or forms part of common general knowledge in the field.

Crop carts are used to receive a crop from a harvester directly in the field during harvest. Crop carts can also be used to transport seed to a planter. Crop carts are typically used to receive, transport and unload various types of field crops such as, but not limited to, sugar beets, carrots, potatoes, onions, tomatoes, cucumbers, corn silage and the like. Conventional crop carts are comprised of a trailer that is pulled by a tractor through the field next to the harvester. Conventional crop carts include an open topped hopper that receives various volumes of harvested crop from the harvester in real-time. When the hopper of the crop shuttle is full, the crop cart is transported to a location in the field to unload to a truck or other transport device using an unloading conveyor at the front of the hopper. The hopper includes a floor conveyor that moves the crop forwardly towards the unloading conveyor where the unloading conveyor is angled upwardly to lift the crop upwardly from the crop shuttle into the transport vehicle.

One problem with conventional crop carts is that the unloading conveyor extends upwardly at a relatively steep angle thereby resulting in the crop falling downwardly on the unloading conveyor during the unloading procedure. When the crop falls downwardly on the unloading conveyor, crops such as sugar beets can become damaged. Another problem with conventional crop carts is that the front unloading conveyor extends upwardly above the upper edge of the container when in the storage position thereby creating potential problems of hitting the harvester during loading of the crop. Another problem with conventional crop carts is that they require a significant volume of pressurized

hydraulic fluid from the tractor pulling the crop cart to unload the crop which some older tractors are unable to handle.

Because of the inherent problems with the related art, there is a need for a new and improved crop cart unloading system for efficiently unloading a harvested crop from a crop cart.

**BRIEF SUMMARY OF THE INVENTION**

The invention generally relates to a crop cart unloading system which includes a hopper having a floor conveyor movably positioned with respect to a lower floor, a plurality of sidewalls extending upwardly from the lower floor, an unloading door movably connected to an unloading end of the hopper, and an upper opening defined by an upper edge of the plurality of sidewalls for receiving a field crop. The hopper is pivotally connected to a support frame having a plurality of wheels, or tracks. A first actuator is connected between the support frame and the hopper to lift the unloading end of the hopper. An unloading conveyor is attached to the unloading end of the hopper to receive and discharge a field crop from the hopper.

There has thus been outlined, rather broadly, some of the features of the invention in order that the detailed description thereof may be better understood, and in order that the present contribution to the art may be better appreciated. There are additional features of the invention that will be described hereinafter and that will form the subject matter of the claims appended hereto. In this respect, before explaining at least one embodiment of the invention in detail, it is to be understood that the invention is not limited in its application to the details of construction or to the arrangements of the components set forth in the following description or illustrated in the drawings. The invention is capable of other embodiments and of being practiced and carried out in various ways. Also, it is to be understood that the phraseology and terminology employed herein are for the purpose of the description and should not be regarded as limiting.

**BRIEF DESCRIPTION OF THE DRAWINGS**

Various other objects, features and attendant advantages of the present invention will become fully appreciated as the same becomes better understood when considered in conjunction with the accompanying drawings, in which like reference characters designate the same or similar parts throughout the several views, and wherein:

FIG. 1 is a front upper perspective view of the present invention in the loading position.

FIG. 2 is a front upper perspective view of the present invention in the unloading position.

FIG. 3 is a rear upper perspective view of the present invention in the unloading position.

FIG. 4 is a front view of the present invention in the loading position.

FIG. 5a is a front view with the front end of the hopper elevated.

FIG. 5b is a front view with the unloading conveyor partially extended.

FIG. 5c is a front view with the unloading conveyor fully extended at a slight upward angle.

FIG. 5d is a front view with the unloading conveyor fully extended at a slight downward angle.



3

FIG. 5e is a front view with the unloading conveyor fully extended in a substantially horizontal manner unloading a field crop.

FIG. 6 is a rear view of the present invention in the unloading position.

FIG. 7a is a top view of the present invention in the loading position.

FIG. 7b is a top view of the present invention with the cart elevated for the loading position.

FIG. 7c is a top view of the present invention in the unloading position with the unloading conveyor extended.

FIG. 7d is a bottom view of the present invention in the unloading position with the unloading conveyor extended.

FIG. 8a is a left side view of the present invention in the loading position.

FIG. 8b is a right side view of the present invention in the loading position.

FIG. 8c is a right side view of the present invention in the unloading position.

## DETAILED DESCRIPTION OF THE INVENTION

### A. Overview

Turning now descriptively to the drawings, in which similar reference characters denote similar elements throughout the several views, FIGS. 1 through 8c illustrate a crop cart unloading system 10, which comprises a hopper 20 having a floor conveyor 30 movably positioned with respect to a lower floor 22, a plurality of sidewalls 24 extending upwardly from the lower floor 22, an unloading door 28 movably connected to an unloading end of the hopper 20, and an upper opening defined by an upper edge of the plurality of sidewalls 24 for receiving a field crop 14. The hopper 20 is pivotally connected to a support frame 40 having a plurality of wheels 44 or track system. At least one actuator 50, 52 is connected between the support frame 40 and the hopper 20 to lift the unloading end of the hopper 20. An unloading conveyor 60 is attached to the unloading end of the hopper 20 to receive and discharge a field crop 14 from the hopper 20. The present invention is capable of being pulled behind a vehicle similar to a trailer or may have its own engine, as power assist or to operate as its own vehicle similar to a truck. The present invention is designed for receiving, transporting and unloading various types of field crops 14 such as, but not limited to, sugar beets, carrots, potatoes, onions, tomatoes, cucumbers, corn silage and the like. The present invention may be utilized to receive, transport and unload various types of crop seed. The present invention may also be utilized for transporting and receiving non-field crops 14 such as lime.

### B. Support Frame

The support frame 40 having a front end, a rear end, a left side and a right side. The support frame 40 includes a longitudinal axis extending from the rear end to the front end of the support frame 40. The support frame 40 may have various shapes and structures capable of supporting the hopper 20.

The support frame 40 includes a plurality of wheels 44 rotatably attached to the sides of the support frame 40 for movably supporting the support frame 40 above a ground surface. A first track 46 preferably surrounds a plurality of wheels 44 on a first side of the support frame 40 and a second track 46 preferably surrounds a plurality of wheels

4

44 on a second side of the support frame 40 as illustrated in FIGS. 1 through 6 of the drawings.

The support frame 40 includes a hitch 42 adapted for removably connecting to a vehicle such as a tractor as illustrated in FIGS. 1 and 2 of the drawings. The support frame 40 may be comprised of any type of frame structure capable of supporting the hopper 20 in a movable manner in a field.

### C. Hopper

The hopper 20 has a lower floor 22 and a plurality of sidewalls 24 extending upwardly from the lower floor 22 defining an interior cavity that receives the field crop 14 as illustrated in FIGS. 1 through 3 of the drawings. The hopper 20 preferably has an elongated rectangular shape structure having a longitudinal axis extending from a rear end to a front end of the hopper 20 as illustrated in FIG. 7a of the drawings. The longitudinal axis of the hopper 20 is preferably parallel to the longitudinal axis of the support frame 40. The length and width of the hopper 20 are also preferably similar to the length and width of the support frame 40.

An upper opening is defined by an upper edge of the plurality of sidewalls 24. The upper opening receives the field crop 14 from the harvester as the present invention is pulled alongside a harvester in the field.

An unloading door 28 is movably connected to an unloading end of the hopper 20 for allowing selective unloading of the field crop 14 in the hopper 20. One or more unloading actuators 29 are connected to the sidewalls 24 of the hopper 20 and the unloading door 28 to move the unloading door 28 into a closed position (FIG. 1) or an open position (FIG. 2). The unloading actuators 29 are preferably hydraulic actuators controlled by the tractor, however, the unloading actuators 29 may be electro-mechanical actuators. The unloading door 28 is preferably pivotally attached at an upper end thereof to or near the upper edge of the sidewalls 24 as shown in FIGS. 1 through 3 of the drawings. The unloading door 28 is preferably positioned at the front end of the hopper 20 but may alternatively be positioned at the rear end of the hopper 20.

A floor conveyor 30 is movably positioned with respect to the lower floor 22 to move the field crop 14 in the hopper 20. A drive motor moves the floor conveyor 30 so the upper run of the floor conveyor 30 that is adjacent the upper surface of the floor moves the field crop 14 in a first direction towards the opening exposed by the unloading door 28 when the unloading door 28 is opened. The drive motor is preferably comprised of a hydraulic motor that is fluidly connected to the tractor pulling the present invention and with the speed of the floor conveyor 30 adjustably controlled from the tractor. The faster the floor conveyor 30 moves a corresponding increase in the volume of field crop 14 discharged to the unloading conveyor 60 occurs and vice versa.

The lower run of the floor conveyor 30 that extends beneath the lower floor 22 moves in a second direction opposite of the first direction and away from the opening exposed by the unloading door 28. The floor conveyor 30 is preferably comprised of a bar-type conveyor having a plurality of cross members 34 (with or without one piece rubber or flapped attachments) attached to chains 32 that extend transverse with respect to a movement path of the floor conveyor 30 as illustrated in FIGS. 1 through 3 of the drawings. However, the floor conveyor 30 may be comprised of various other types of conveyors.

The hopper 20 is pivotally connected to the support frame 40 to allow the unloading end to be lifted upwardly to the



5

unloading position (FIG. 2) and lowered downwardly to the loading position (FIG. 1). The hopper 20 may be pivotally connected near the front end or the rear end of the support frame 40. However, it is preferable that the hopper 20 is pivotally connected to the support frame 40 at or near the rear end of the support frame 40 with the unloading end of the hopper 20 being located in the front as illustrated in FIGS. 1 through 3 of the drawings. The unloading end of the hopper 20 is preferably near the front end of the support frame 40. The hopper 20 is pivotally connected to the support frame 40 by one or more hinges 21 connected to or near the rear end of the support frame 40 and to the rear portion of the hopper 20 as best illustrated in FIG. 6 of the drawings.

The lower floor 22 of the hopper 20 is preferably substantially horizontal when the hopper 20 is in the loading position as illustrated in FIGS. 1, 4, 8a and 8b of the drawings. The lower floor 22 is preferably comprised of a flat and level planar structure to allow the floor conveyor 30 to move along the upper surface of the lower floor 22. The lower floor 22 of the hopper 20 is angled upwardly, preferably between 10 and 15 degrees towards the unloading end when the hopper 20 is in the unloading position. When the unloading end of the hopper 20 is at the front end, the lower floor 22 of the hopper 20 is angled upwardly, again at 10 to 15 degrees from the rear end of the hopper 20 to the front end of the hopper 20 as illustrated in FIGS. 2 and 3 of the drawings.

The hopper 20 may also include a second door opposite of the unloading door 28 as illustrated in FIGS. 1 through 3 of the drawings. The figures illustrate a rear door 26 opened and closed by one or more corresponding rear actuators 27. However, if the unloading door 28 is located in the rear portion of the hopper 20 then the second door would be located at the front portion of the hopper 20. The rear door 26 may be used to unload a field crop 14 or other particulate material from the hopper 20 opposite of the unloading conveyor 60 by simply lifting the front end of the hopper 20 without moving the floor conveyor 30.

#### D. Actuators

One or more actuators 50, 52 are connected between the support frame 40 and the hopper 20. It is preferable to have at least a first actuator 50 and a second actuator 52 connected to opposing side portions of the support frame 40 and the hopper 20 as illustrated in FIGS. 2 and 3 of the drawings. However a single actuator 50, 52 may be used to lift and lower the hopper 20 between the loading position and the unloading position. The actuators 50, 52 are preferably comprised of hydraulic actuators that are fluidly connected to the hydraulic system of the tractor, however, the actuators 50, 52 may be comprised of electro-mechanical actuators.

The actuators 50, 52 are adapted to lift the unloading end of the hopper 20 from a loading position into an unloading position. The loading position for the hopper 20 is for receiving the field crop 14 into the hopper 20 and the unloading position for the hopper 20 is for unloading the field crop 14 from the hopper 20.

The unloading end of the hopper 20 is preferably the front end of the hopper 20 with the unloading door 28 movably connected to the front end of the hopper 20 also to unload the field crop 14 from the front end of the hopper 20 when the front end of the hopper 20 is elevated at 10 to 15 degrees. The actuators 50, 52 are preferably connected to a front portion of the hopper 20 to lift the front end of the hopper

6

20 and the unloading conveyor 60 upwardly as illustrated in FIGS. 2 and 3 of the drawings.

#### E. Unloading Conveyor

The unloading conveyor 60 is attached to the unloading end of the hopper 20 and is adapted to receive and discharge a field crop 14 received from the hopper 20 when in the unloading position. The unloading conveyor 60 is preferably comprised of a bar-type conveyor belt having a plurality of cross bars and a plurality of slots, however, the unloading conveyor 60 may be comprised of various other types of conveyors.

A drive motor moves the unloading conveyor 60 so the upper run of the unloading conveyor 60 moves the field crop 14 in a first direction towards the discharge end of the unloading conveyor 60. The drive motor is preferably comprised of a hydraulic motor that is fluidly connected to the tractor pulling the present invention and with the speed of the unloading conveyor 60 adjustably controlled from the tractor. The faster the unloading conveyor 60 moves a corresponding increase in the volume of field crop 14 discharged to the unloading conveyor 60 occurs and vice versa.

The unloading conveyor 60 has an upper run that moves the field crop 14 to the discharge end of the unloading conveyor 60 to discharge the field crop 14 into a different vehicle or location. The unloading conveyor 60 also has a lower run that provides a return for the unloading conveyor 60. The longitudinal axis of the unloading conveyor 60 is preferably substantially transverse with respect to the longitudinal axis of the lower floor 22 of the hopper 20. The proximal end of the unloading conveyor 60 is preferably near one of the sidewalls 24 of the hopper 20 and the distal end of the unloading conveyor 60 extends outwardly away from an opposite sidewall 24 to discharge the field crop 14 at an elevated height to a transport vehicle 12 as illustrated in FIG. 5e of the drawings.

The unloading conveyor 60 is downwardly angled from a rear edge to a front edge of the unloading conveyor 60 when the hopper 20 is in the loading position as best illustrated in FIG. 8b of the drawings. The unloading conveyor 60 is substantially horizontal from the rear edge to the front edge of the unloading conveyor 60 when the hopper 20 is in the unloading position as illustrated in FIG. 8c of the drawings. The angle of the unloading conveyor 60 with respect to the front end of the hopper 20 corresponds to the change in angle when the hopper 20 is elevated from the loading position to the unloading position so the unloading conveyor 60 is substantially level when unloading the field crop 14 as illustrated in FIG. 8c of the drawings.

The unloading conveyor 60 is comprised of an elongated structure having a longitudinal axis extending from a proximal end to a distal end. The unloading conveyor 60 is adapted to be horizontal from the proximal end to the distal end when the hopper 20 is in the unloading position as illustrated in FIG. 5e of the drawings. The longitudinal axis of the unloading conveyor 60 is preferably substantially transverse with respect to a longitudinal axis of the hopper 20. An upper end of the unloading conveyor 60 is positioned at or below the upper edge of the plurality of side walls when the hopper 20 is in the loading position to reduce the chance of engagement with the crop harvester or other equipment as best illustrated in FIG. 4 of the drawings.

The unloading conveyor 60 is preferably comprised of a folding conveyor as illustrated in FIGS. 5a through 5e of the drawings. The unloading conveyor 60 is comprised of a first



segment **62** attached to the unloading end of the hopper **20**, a second segment **64** pivotally connected to a distal end of the first segment **62** and a third segment **66** pivotally connected to a distal end of the second segment **64** as best illustrated in FIGS. **5a** through **5e** of the drawings. The first segment **62** has a first frame, the second segment **64** has a second frame and the third segment **66** has a third frame that are independent movable with respect to one another in a pivotal manner. The first frame of the first segment **62** is preferably non-movably attached to the front end of the hopper **20** such that the upper surface of the unloading conveyor **60** is at or below the upper surface of the lower floor **22** of the hopper **20** to receive the field crop **14**.

One or more inner actuators **70** are connected between the first segment **62** and the second segment **64** of the unloading conveyor **60** to extend and retract the second segment **64** with respect to the first segment **62** as illustrated in FIGS. **5a** through **5e** of the drawings. One or more outer actuators **72** are connected between the second segment **64** and the third segment **66** of the unloading conveyor **60** to extend and retract the third segment **66** with respect to the second segment **64** as illustrated in FIGS. **5a** through **5e** of the drawings.

One or more pivot frame structures pivotally support the pivot connection between the second segment **64** and the third segment **66**. The pivot frame structures are each comprised of a first arm **74** pivotally connected to the second segment **64**, a second arm **76** pivotally connected to the third segment **66**, and a connecting member **75** pivotally connected between the arms **74**, **76** as best illustrated in FIGS. **5c** through **5e** of the drawings. The outer actuators **72** are connected between the connecting member **75** and the pivot joint between the second segment **64** and the third segment **66** as further shown in FIGS. **5c** through **5e** of the drawings.

#### F. Operation of Preferred Embodiment

In use, the user connects a tractor to the hitch **42** of the support frame **40** and fluidly connects all of the actuators and drive motors to the hydraulic system of the tractor. Pulling the present invention alongside a harvester with the hopper in the lowered loading position (FIG. **1**), the harvester fills the hopper **20** with the field crop **14** such as sugar beets. When the hopper **20** is full, the user pulls the present invention to an unloading location to unload the field crop **14** to a transport vehicle **12** to be transported to a desired location (e.g. a processing facility). The user first lifts the front end of the hopper **20** using the actuators **50**, **52** as illustrated in FIG. **5a**. Once the hopper **20** is fully elevated to the unloading height, the user then extends the unloading conveyor **60** outwardly to the extended position as illustrated in FIGS. **5b** through **5d** of the drawings. The user then pulls forwardly alongside the transport vehicle **12** until the discharge end of the unloading conveyor **60** is aligned with the desired unloading location in the box of the transport vehicle **12** as illustrated in FIG. **5e**. The user then opens the unloading door **28** and then activates both the floor conveyor **30** and the unloading conveyor **60** to move the field crop **14** from the hopper **20** to the unloading conveyor **60** and then into the box of the transport vehicle **12**. Because the unloading conveyor **60** is horizontal or substantially horizontal during unloading, the field crop **14** does not roll back and less hydraulic fluid is required to move the field crop **14** during unloading. Once the hopper **20** and unloading conveyor **60** are empty, the transport vehicle **12** pulls forwardly and away from the present invention. The user then lowers the hopper **20** to the loading position and retracts the

unloading conveyor **60** as illustrated in FIG. **4** of the drawings. The above process is repeated as necessary.

Unless otherwise defined, all technical and scientific terms used herein have the same meaning as commonly understood by one of ordinary skill in the art to which this invention belongs. Although methods and materials similar to or equivalent to those described herein can be used in the practice or testing of the present invention, suitable methods and materials are described above. All publications, patent applications, patents, and other references mentioned herein are incorporated by reference in their entirety to the extent allowed by applicable law and regulations. The present invention may be embodied in other specific forms without departing from the spirit or essential attributes thereof, and it is therefore desired that the present embodiment be considered in all respects as illustrative and not restrictive. Any headings utilized within the description are for convenience only and have no legal or limiting effect.

What is claimed is:

1. A crop cart, comprising:

a support frame having a front end and a rear end;  
a plurality of tracks or a plurality of wheels connected to the support frame for movably supporting the support frame upon a ground surface;

a hopper having an unloading opening within an unloading end of the hopper adapted for unloading a crop within the hopper, wherein the unloading end is comprised of a front end or a rear end of the hopper, and wherein the hopper is pivotally connected to the support frame near the front end or the rear end of the support frame;

an actuator connected between the support frame and the hopper, wherein the actuator is adapted to lift the unloading end of the hopper from a loading position into an unloading position, wherein the loading position for the hopper is for receiving the crop into the hopper and the unloading position for the hopper is for unloading the crop from the hopper, and wherein the unloading end of the hopper is raised when the hopper is in the unloading position and wherein the unloading end of the hopper is lowered when the hopper is in the loading position; and

an unloading conveyor having an inner edge and an outer edge opposite of the inner edge, the unloading conveyor attached to the hopper with the inner edge near the unloading end of the hopper, wherein the unloading conveyor is adapted to receive and discharge the crop from the unloading opening within the hopper, and wherein the unloading conveyor is substantially horizontal from the inner edge to the outer edge of the unloading conveyor when the hopper is in the unloading position;

wherein the unloading conveyor is comprised of an elongated structure having a longitudinal axis extending from a proximal end to a distal end, wherein the unloading conveyor is adapted to be horizontal from the proximal end to the distal end when the hopper is in the unloading position, wherein the longitudinal axis of the unloading conveyor is substantially transverse with respect to a longitudinal axis of the hopper.

2. The crop cart of claim 1, wherein the hopper is pivotally connected to the support frame by a hinge connected to or near the rear end of the support frame and to a rear portion of the hopper, wherein the unloading end of the hopper is comprised of the front end of the hopper.

3. The crop cart of claim 1, wherein the unloading end of the hopper is comprised of the front end of the hopper.



9

4. The crop cart of claim 1, wherein a lower floor of the hopper is angled upwardly towards the unloading end between 10 to 15 degrees when the hopper is in the unloading position.

5. The crop cart of claim 1, wherein the unloading conveyor is comprised of a first segment attached to the unloading end of the hopper and a second segment pivotally connected to a distal end of the first segment.

6. The crop cart of claim 1, including an unloading door movably connected to the hopper to selectively close and open the unloading opening, and an unloading actuator connected to the hopper and the unloading door to move the unloading door into a closed position or an open position.

7. The crop cart of claim 1, wherein the unloading conveyor is downwardly angled from the inner edge to the outer edge of the unloading conveyor when the hopper is in the loading position.

8. A crop cart, comprising:

a support frame having a front end and a rear end;

a plurality of tracks or a plurality of wheels connected to the support frame for movably supporting the support frame upon a ground surface;

a hopper having an unloading opening within an unloading end of the hopper adapted for unloading a crop within the hopper, wherein the unloading end is comprised of a front end or a rear end of the hopper, and wherein the hopper is pivotally connected to the support frame near the front end or the rear end of the support frame;

an actuator connected between the support frame and the hopper, wherein the actuator is adapted to lift the unloading end of the hopper from a loading position into an unloading position, wherein the loading position for the hopper is for receiving the crop into the hopper and the unloading position for the hopper is for unloading the crop from the hopper; and

an unloading conveyor having an inner edge and an outer edge opposite of the inner edge, the unloading conveyor attached to the hopper with the inner edge near the unloading end of the hopper, wherein the unloading conveyor is adapted to receive and discharge a crop from the hopper, and wherein the unloading conveyor is substantially horizontal from the inner edge to the outer edge of the unloading conveyor when the hopper is in the unloading position.

9. The crop cart of claim 8, wherein the hopper is pivotally connected to the support frame by a hinge connected to or near the rear end of the support frame and to a rear portion of the hopper, wherein the unloading end of the hopper is comprised of the front end of the hopper.

10. The crop cart of claim 8, wherein the unloading end of the hopper is comprised of the front end of the hopper.

11. The crop cart of claim 8, wherein a lower floor of the hopper is angled upwardly towards the unloading end between 10 to 15 degrees when the hopper is in the unloading position.

12. The crop cart of claim 8, wherein the unloading conveyor is comprised of a folding conveyor.

13. The crop cart of claim 8, including an unloading door movably connected to the hopper to selectively close and open the unloading opening, and an unloading actuator connected to the hopper and the unloading door to move the unloading door into a closed position or an open position.

10

14. The crop cart of claim 8, wherein the unloading conveyor is downwardly angled from the inner edge to the outer edge of the unloading conveyor when the hopper is in the loading position.

15. A crop cart, comprising:

a support frame having a front end and a rear end;

a plurality of tracks or a plurality of wheels connected to the support frame for movably supporting the support frame upon a ground surface;

a hopper having an unloading opening within an unloading end of the hopper adapted for unloading a crop within the hopper, wherein the unloading end is comprised of a front end or a rear end of the hopper, and wherein the hopper is pivotally connected to the support frame near the front end or the rear end of the support frame;

an actuator connected between the support frame and the hopper, wherein the actuator is adapted to lift the unloading end of the hopper from a loading position into an unloading position, wherein the loading position for the hopper is for receiving the crop into the hopper and the unloading position for the hopper is for unloading the crop from the hopper; and

an unloading conveyor having an inner edge and an outer edge opposite of the inner edge, the unloading conveyor attached to the hopper with the inner edge near the unloading end of the hopper, wherein the unloading conveyor is adapted to receive and discharge a crop from the hopper;

wherein the unloading conveyor is comprised of an elongated structure having a longitudinal axis extending from a proximal end to a distal end, wherein the unloading conveyor is adapted to be horizontal from the proximal end to the distal end when the hopper is in the unloading position;

wherein the longitudinal axis of the unloading conveyor is substantially transverse with respect to a longitudinal axis of the hopper; and

wherein the unloading conveyor is comprised of a folding conveyor.

16. The crop cart of claim 15, wherein the unloading conveyor is comprised of a first segment attached to the unloading end of the hopper, and a second segment pivotally connected to a distal end of the first segment.

17. The crop cart of claim 15, wherein the hopper is pivotally connected to the support frame by a hinge connected to or near the rear end of the support frame and to a rear portion of the hopper, wherein the unloading end of the hopper is comprised of the front end of the hopper.

18. The crop cart of claim 15, wherein the unloading end of the hopper is comprised of the front end of the hopper.

19. The crop cart of claim 15, wherein a lower floor of the hopper is angled upwardly towards the unloading end between 10 to 15 degrees when the hopper is in the unloading position.

20. The crop cart of claim 15, including an unloading door movably connected to the hopper to selectively close and open the unloading opening, and an unloading actuator connected to the hopper and the unloading door to move the unloading door into a closed position or an open position.

\* \* \* \* \*